

LED LIGHTING

ECO-GREEN LIGHTING PRODUCTS

LED

LUXMEISTER



PRODUCTION WORKSHOP



Induction lamp Workshop



Ballast Workshop



Assembly workshop-1



Assembly workshop-2



Assembly workshop-3



Fixture workshop



Polish Workshop



Painting Workshop



Products Showroom



Testing laboratory



Photometric Facility



Warehouse Facility

PRODUCTS CERTIFICATES



CE-LVD



CE-EMC



USA-UL



ROHS



C-TICK



SAA



ISO9001



CCC

DIRECTORY INDEX

● LED BULB LIGHT 01



● LED CORN LIGHT 05



● LED HIGHBAY LIGHT 09



● LED STREET LIGHT 11



● LED FLOOD LIGHT 14



● LED CEILING LIGHT 20



● LED PANEL LIGHT 27



● LED TUBE LIGHT 38



● LED PROJECTOR LIGHT 40



LED BULB LIGHTING

Long lifetime & Energy Saving



HIGH POWER
LED BULB TYPE LIGHTING



LUHMEISTER

PRODUCTS FEATURES:

- Mercury free and eco friendly led bulb light
- Easily to be installed with lamp base
- Excellent vibration & shock resistance
- Voltage:100-277V Frequency: 50/60hz,80 Lm/W

APPLICATIONS:

- Shopping mall, supermarket, stadium, office etc

FIXTURE SPECIFICATION:

Product Name	LED BULB	Color Rendering Index	Ra≥80
Product Model	LED-BL01	LED Working Life (H)	≥35,000h
Input Power	AC100-277V	Frequency	50/60HZ
Rated Power	3.5W/5W/10W	Temperature (°C)	-25°C~55°C
LED Chip Type	SMD 5630	Installation	E27 lamp base
Power Factor	≥0.95	Material	PC & Aluminum
Luminous Flux (lm)	≥80 lm/watt	CCT(K°)	4000K/6500K

Wattage(W)	Lumen(lm)	L (mm)	W(mm)	H (mm)
3.5W	310	50	50	100
5 W	450	60	60	111
10 W	900	60	60	111



LUHMEISTER

PRODUCTS FEATURES:

- Mercury free and eco friendly led bulb light
- Easily to be installed with lamp base
- Excellent vibration & shock resistance
- Voltage:85-265V Frequency: 50/60hz,80 Lm/W

APPLICATIONS:

- Shopping mall, supermarket, stadium, office etc

FIXTURE SPECIFICATION:

Product Name	LED BULB	Color Rendering Index	Ra≥80
Product Model	LED-BL02	LED Working Life (H)	≥35,000h
Input Power	AC85-265V	Frequency	50/60HZ
Rated Power	27W/36W/60W/120W	Temperature (°C)	-25°C~55°C
LED Chip Type	SMD 5630	Installation	E27 lamp base
Power Factor	≥0.95	Material	PC & Aluminum
Luminous Flux (lm)	≥80 lm/watt	CCT(K°)	4000K/6500K

Wattage(W)	Lumen(lm)	L (mm)	W(mm)	H (mm)
27 W/E27	2340	130	130	195
36 W/E27	3240	130	130	195
60 W/E40	5400	173	173	250
120 W/E40	10800	250	250	336



LUHMEISTER

PRODUCTS FEATURES:

- Mercury free and eco friendly led bulb light
- Easily to be installed with lamp base
- Excellent vibration & shock resistance
- Voltage:85-265V Frequency: 50/60hz,80 Lm/W

APPLICATIONS:

- Shopping mall, supermarket, stadium, office etc

FIXTURE SPECIFICATION:

Product Name	LED BULB	Color Rendering Index	Ra≥80
Product Model	LED-BL03	LED Working Life (H)	≥35,000h
Input Power	AC85-265V	Frequency	50/60HZ
Rated Power	3.5W	Temperature (°C)	-25°C~55°C
Power Factor	≥0.95	Material	Glass & Aluminum
Luminous Flux (lm)	≥80 lm/watt	CCT(K°)	4000K/6000K

LED CORN LIGHTING

Long lifetime & Energy Saving



5W~150W

**HIGH POWER
LED CORN LIGHTING**



PRODUCTS FEATURES:

- Aluminum alloy , stylish and fashionable with everlasting color.
- Unique heat sink, enables better air ventilation & heat dissipation.
- high quality LED chips with high brightness
- No infrared rays and ultraviolet radiation.
- Easy installation with E40 in enclosed fixtures.
- Long life time and energy saving for durable application
- indoor shopping mall, supermarket, landscape, street lighting etc.

MAIN ADVANTAGES:

THE CORN LIGHT is of high power led lighting with very good quality, it has obvious advantages over retrofitting a type of HID fixtures, as it is compact style without separate ballast, with E40 or E27 lamp base, it can easily retrofit a HID fixtures like street lighting, landscape lighting etc, mainly half of the wattage could replace the original lighting, for example, 120W to replace 250W HID or 80W to replace 150W HID etc, energy saving & better performance.

FIXTURE SPECIFICATION:

Product Name	LED Corn Light	Color Rendering Index	Ra≥80
Product Model	LED-YM2835	Beam Angle (°)	360°
Input Power	AC85-265V	LED Working Life (H)	≥35,000h
Frequency	50/60HZ	Temperature (°C)	-25°C~55°C
Rated Power	20W/30W/40W/60W/80W/100W/120W/150W	Environment Humidity	10%~90%
LED Chip Type	High-power SMD 2835	Storage Temperature (°C)	-25°C~75°C
Power Factor	≥0.95	Fixture Type	Aluminum & PC
Luminous Flux (lm)	≥100 lm/watt	CCT(K°)	4000K/6000K

DIMENSION SPECIFICATION:

LAMP CODE	WATTAGE	WEIGHT(KG)/PC	DIMENSION	LAMP CODE	WATTAGE	WEIGHT(KG)/PC	DIMENSION
LED-YM2835-20W	20	0.30	Φ95*190	LED-YM2835-80W	80	0.69	Φ125*280
LED-YM2835-30W	30	0.34	Φ95*220	LED-YM2835-100W	100	0.77	Φ125*305
LED-YM2835-40W	40	0.40	Φ95*260	LED-YM2835-120W	120	1.00	Φ125*345
LED-YM2835-60W	60	0.46	Φ95*280	LED-YM2835-150W	150	1.00	Φ125*345



LUHMEISTER

PRODUCTS FEATURES:

- Aluminum PCB with heat sink , better heat distribution.
- high quality LED chips with high brightness
- No infrared rays and ultraviolet radiation.
- Easy installation with E40 or E27 options.
- Long life time and energy saving for durable application
- indoor shopping mall, supermarket, landscape, street lighting etc.

MAIN ADVANTAGES:

THE CORN LIGHT is of high power led lighting with very good quality, it has obvious advantages over retrofitting a type of HID fixtures or traditional lighting fixtures, as it is compact style without separate ballast, with E40 or E27 lamp base, it can easily retrofit the existing lamp sources inside a fixture especially for those landscape lighting with HID, Halogen or CFL lamps, as its high strong lumen output with 360 degree lighting distribution, it is energy saving and more brightness.

FIXTURE SPECIFICATION:

Product Name	LED Corn Light	Color Rendering Index	Ra≥80
Product Model	LED-YM5050	Beam Angle (°)	360°
Input Power	AC85-265V	LED Working Life (H)	≥35,000h
Frequency	50/60HZ	Temperature (°C)	-25°C~55°C
Rated Power	5W/7W/12W/15W/20W/25W	Environment Humidity	10%~90%
LED Chip Type	High-power SMD 5050	Storage Temperature (°C)	-25°C~75°C
Power Factor	≥0.95	Fixture Type	Aluminum & PC
Luminous Flux (lm)	≥100 lm/watt	CCT(K°)	4000K/6000K

DIMENSION SPECIFICATION:

LAMP CODE	WATTAGE	WEIGHT(KG)/PC	DIMENSION	LAMP CODE	WATTAGE	WEIGHT(KG)/PC	DIMENSION
LED-YM5050-5W	5	0.04	Φ35*85	LED-YM5050-15W	15	0.12	Φ128*320
LED-YM5050-7W	7	0.06	Φ40*120	LED-YM5050-20W	20	0.17	Φ128*345
LED-YM5050-12W	12	0.09	Φ50*120	LED-YM5050-25W	25	0.23	Φ128*365



LUHMEISTER

PRODUCTS FEATURES:

- Aluminum alloy , stylish and fashionable with everlasting color.
- Unique heat sink, enables better air ventilation & heat dissipation.
- high quality LED chips with high brightness
- No infrared rays and ultraviolet radiation.
- Easy installation with E40 in enclosed fixtures.
- Long life time and energy saving for durable application
- indoor shopping mall, supermarket, landscape, street lighting etc.

MAIN ADVANTAGES:

THE CORN LIGHT is of high power led lighting with very good quality, it has obvious advantages over retrofitting a type of HID fixtures, as it is compact style without separate ballast, with E40 or E27 lamp base, it can easily retrofit a HID fixtures like street lighting, landscape lighting etc, mainly half of the wattage could replace the original lighting, for example, 120W to replace 250W HID or 80W to replace 150W HID etc, energy saving & better performance.

FIXTURE SPECIFICATION:

Product Name	LED Corn Light	Color Rendering Index	Ra≥80
Product Model	LED-YM5730	Beam Angle (°)	360°
Input Power	AC85-265V	LED Working Life (H)	≥35,000h
Frequency	50/60HZ	Temperature (°C)	-25°C~55°C
Rated Power	25W/35W/45W/50W/80W/100W/120W/150W	Environment Humidity	10%~90%
LED Chip Type	High-power SMD 5730	Storage Temperature (°C)	-25°C~75°C
Power Factor	≥0.95	Fixture Type	Aluminum & PC
Luminous Flux (lm)	≥100 lm/watt	CCT(K°)	4000K/6000K

DIMENSION SPECIFICATION:

LAMP CODE	WATTAGE	WEIGHT(KG)/PC	DIMENSION	LAMP CODE	WATTAGE	WEIGHT(KG)/PC	DIMENSION
LED-YM5730-25W	25	0.69	Φ95*198	LED-YM5730-80W	80	1.72	Φ125*318
LED-YM5730-35W	35	0.72	Φ95*225	LED-YM5730-100W	100	1.98	Φ125*340
LED-YM5730-45W	45	0.87	Φ95*250	LED-YM5730-120W	120	2.12	Φ125*360
LED-YM5730-50W	50	0.95	Φ95*273	LED-YM5730-150W	150	2.16	Φ125*360

LED HIGHBAY LIGHTING

Long lifetime & Energy Saving



HIGH POWER
LED HIGHBAY LIGHTING



LUKMEISTER



TEMPERED GLASS



PRISMATIC COVER

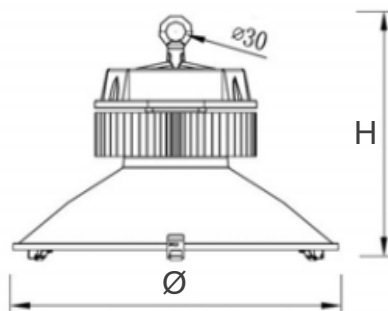


WITHOUT COVER

PRODUCTS FEATURES:

- High quality aluminum die cast body
- High transparent Bk7 glass, Stainless gasket
- Gearbox and heat sink isolated, Chain Protection
- Anodized aluminum extrusion Voltage:100-277V Frequency: 50/60hz
- IP65,Electrical Insulation Grade: Class I
- Power:90~200W, High Power Factor:>90%
- Tempered Glass (TG), Prismatic (PC) or No cover (NC)

FIXTURE DIMENSION:



FIXTURE SPECIFICATION:

Product Name	LED Flood Light	Color Rendering Index	Ra≥75
Product Model	LED-HB-GC01	LED Working Life (H)	≥35,000h
Input Power	AC85-265V	Frequency	50/60HZ
Rated Power	90w/130w/200w	Temperature (°C)	-25°C~55°C
LED Chip Type	Epistar	Installation	Hook
Power Factor	≥0.95	Material	Die cast & Aluminum
Luminous Flux (lm)	≥70 lm/watt	CCT(K°)	3000K/6000K

Wattage(W)	Weight(kg)-TG	Weight(kg)-PC	Weight(kg)-NC	Ø (mm)	H (mm)-TG	H (mm)-PC	H (mm)-NC
90W	9.95	9.6	6.6	588	447	646	428
130W	11.1	11.1	7.8	588	487	686	468
200W	11.1	11.1	7.8	588	537	736	518

LED STREET LIGHTING

Long lifetime & Energy Saving



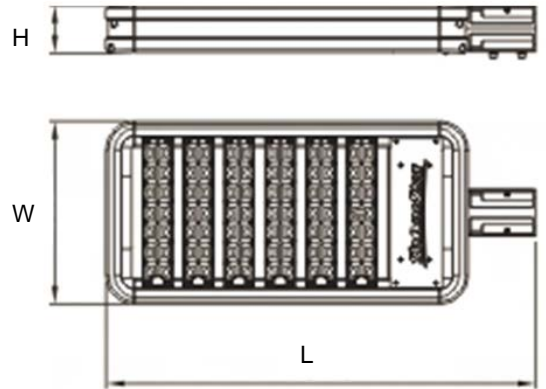
HIGH POWER
LED STREET LIGHTING



PRODUCTS FEATURES:

- Pure Aluminum Profiles with Module Structure
- Die cast aluminum for top and bottom covers
- Excellent vibration & shock resistance
- Voltage:85-265V Frequency: 50/60hz,95Lm/W
- Power:100~200W, High Power Factor:>90%
- IP65,Electrical Insulation Grade: Class I

FIXTURE DIMENSION:



APPLICATIONS:

- Street lighting, high way, parking lot , area lighting

FIXTURE SPECIFICATION:

Product Name	LED STREET LIGHT	Color Rendering Index	Ra≥75
Product Model	LED-SL-RD01	LED Working Life (H)	≥35,000h
Input Power	AC85-265V	Frequency	50/60HZ
Rated Power	100W-200W	Temperature (°C)	-25°C~55°C
LED Chip Type	CREE, OSRAM	Installation	60mm Installation hole
Power Factor	≥0.95	Material	Die cast & Aluminum
Luminous Flux (lm)	≥95 lm/watt	CCT(K°)	3000K/6000K

Wattage(W)	Weight(kg)	L (mm)	W (mm)	H (mm)
100W	9.5	615	322	85
200W	13.5	758	322	85



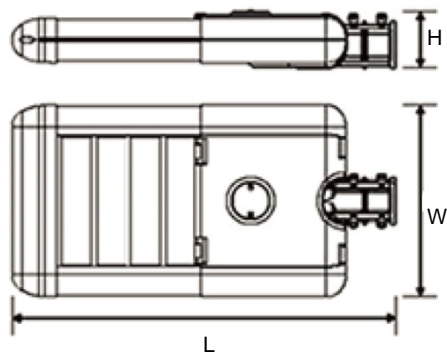
PRODUCTS FEATURES:

- Pure Aluminum Profiles with Module Structure
- Die cast aluminum for top and bottom covers
- Excellent vibration & shock resistance
- Voltage:85-265V Frequency: 50/60hz,95Lm/W
- Power:90~180W, High Power Factor:>90%
- IP65,Electrical Insulation Grade: Class I

APPLICATIONS:

- Street lighting, high way, parking lot , area lighting

FIXTURE DIMENSION:



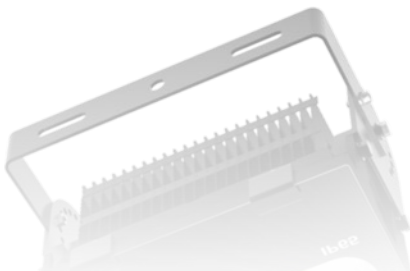
FIXTURE SPECIFICATION:

Product Name	LED STREET LIGHT	Color Rendering Index	Ra≥75
Product Model	LED-SL-RD02	LED Working Life (H)	≥35,000h
Input Power	AC85-265V	Frequency	50/60HZ
Rated Power	90/120/150/180W	Temperature (°C)	-25°C~55°C
LED Chip Type	Bridgelux	Installation	60mm Installation hole
Power Factor	≥0.95	Material	Die cast & Aluminum
Luminous Flux (lm)	≥95 lm/watt	CCT(K°)	3000K/6000K

Wattage(W)	Weight(kg)	L (mm)	W (mm)	H (mm)
90W	11.5	675	355	100
120W	12.5	735	355	100
150W	13.5	800	355	100
180W	14.5	860	355	100

LED FLOOD LIGHTING

Long lifetime & Energy Saving



10W~200W

**HIGH POWER
LED FLOOD LIGHTING**



LUHMEISTER

PRODUCTS FEATURES:

- Pure Aluminum reflector, Tempered glass lens
- Die cast ballast casing, adjustable bracket installation
- Excellent vibration & shock resistance
- Voltage:85-265V Frequency: 50/60hz,70Lm/W
- Power:10~50W, High Power Factor:>90%
- IP65,Electrical Insulation Grade: Class I

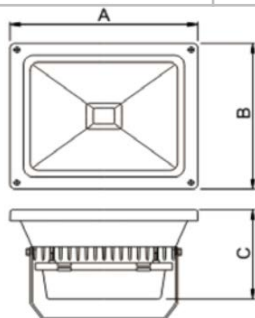
APPLICATIONS:

- Billboard , parking lot, building, landscape, workshop, area lighting



FIXTURE SPECIFICATION:

Product Name	LED Flood Light	Color Rendering Index	Ra≥75
Product Model	LED-FL-TG01	LED Working Life (H)	≥35,000h
Input Power	AC85-265V	Frequency	50/60HZ
Rated Power	10W-50W	Temperature (°C)	-25°C~55°C
LED Chip Type	Epistar	Installation	Adjustable bracket
Power Factor	≥0.95	Material	Die cast & Aluminum
Luminous Flux (lm)	≥70 lm/watt	CCT(K°)	3000K/6000K



Wattage(W)	Weight(kg)	A (mm)	B(mm)	C(mm)
10W	0.51	115	85	85
20W	1.11	180	140	100
30W	1.92	223	185	120
50W	3.54	285	235	145



LUHMEISTER

PRODUCTS FEATURES:

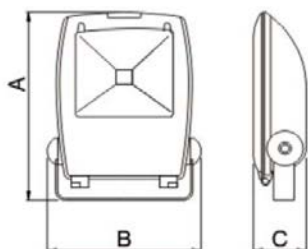
- Pure Aluminum reflector, Tempered glass lens
- Die cast ballast casing, adjustable bracket installation
- Excellent vibration & shock resistance
- Voltage:85-265V Frequency: 50/60hz,70Lm/W
- Power:10~50W, High Power Factor:>90%
- IP65,Electrical Insulation Grade: Class I

APPLICATIONS:

- Billboard , parking lot, building, landscape, workshop, area lighting

FIXTURE SPECIFICATION:

Product Name	LED Flood Light	Color Rendering Index	Ra≥75
Product Model	LED-FL-TG02	LED Working Life (H)	≥35,000h
Input Power	AC85-265V	Frequency	50/60HZ
Rated Power	10W~50W	Temperature (°C)	-25°C~55°C
LED Chip Type	Epistar	Installation	Adjustable bracket
Power Factor	≥0.95	Material	Die cast & Aluminum
Luminous Flux (lm)	≥70 lm/watt	CCT(K°)	3000K/6000K



Wattage(W)	Weight(kg)	A (mm)	B(mm)	C(mm)
10W	0.95	205	170	60
30W	2.47	330	250	85
50W	4.32	380	320	115



LUKMEISTER

PRODUCTS FEATURES:

- Pure Aluminum reflector, Tempered glass lens
- Die cast ballast casing, adjustable bracket installation
- Excellent vibration & shock resistance
- Voltage:200~240V Frequency: 50/60hz,75Lm/W
- Power:20~50W, High Power Factor:>90%
- IP67,Electrical Insulation Grade: Class I

APPLICATIONS:

- Billboard , parking lot, building, landscape, workshop, area lighting

FIXTURE FEATURES:

AC Technology,
No Extra Driver!

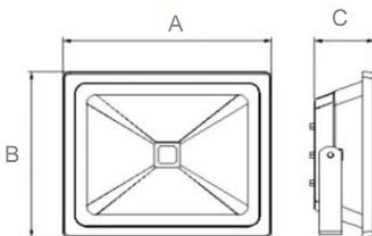
IP67 Special
LED Luminaire

IP67 Special
LED Luminaire

HIGH QUALITY,HIGH IP RATING,IP LEVEL:IP67

FIXTURE SPECIFICATION:

Product Name	LED Flood Light	Color Rendering Index	Ra≥75
Product Model	LED-FL-TG03	LED Working Life (H)	≥35,000h
Input Power	AC200-240V	Frequency	50/60HZ
Rated Power	20W~50W	Temperature (°C)	-25°C~55°C
LED Chip Type	Epistar	Installation	Adjustable bracket
Power Factor	≥0.95	Material	Die cast & Aluminum
Luminous Flux (lm)	≥75 lm/watt	CCT(K°)	3000K/6000K



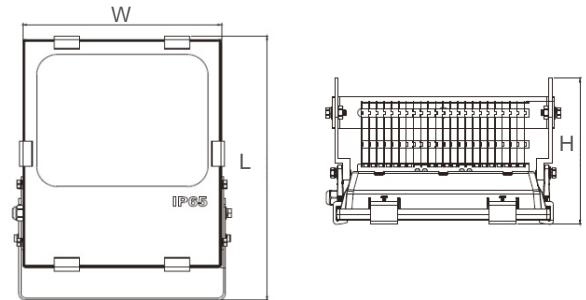
Products Wattage	Weight(kg)	A (mm)	B(mm)	C(mm)
20W	0.59	180	140	65
30W	1.40	225	185	65
50W	2.33	285	233	82



PRODUCTS FEATURES:

- Die cast aluminum housing, strong alloy body structure
- High Transparent tempered glass.
- High quality LED chips with high brightness
- No infrared rays and ultraviolet radiation, corrosion resistant
- Adjustable installation brackets for different angles
- Long life time and energy saving for durable application
- Parking lot, billboard, Stadium, Sports , Museum, Area lighting etc.

FIXTURE DIMENSION:



FIXTURE SPECIFICATION:

Product Name	LED Flood Light	Color Rendering Index	Ra≥75
Product Model	LED-FL-TG04	LED Working Life (H)	≥35,000h
Input Power	AC100-277V	Frequency	50/60HZ
Rated Power	10W~200W	Temperature (°C)	-25°C~55°C
LED Chip Type	Bridgelux	Installation	Adjustable bracket
Power Factor	≥0.95	Material	Die cast & Aluminum
Luminous Flux (lm)	≥90 lm/watt	CCT(K°)	4000K/6000K

DIMENSION SPECIFICATION:

FIXTURE CODE	WATTAGE	WEIGHT(KG)/PC	DIMENSION L*W*H	FIXTURE CODE	WATTAGE	WEIGHT(KG)/PC	DIMENSION L*W*H
LED-FL-TG04	10	1.05	158*111*54	LED-FL-TG01	70	3.55	281*200*154
LED-FL-TG04	20	1.36	203*155*64	LED-FL-TG01	100	5.40	309*250*182
LED-FL-TG04	30	1.55	219*170*64	LED-FL-TG01	150	8.50	365*274*187
LED-FL-TG04	50	2.74	281*200*113	LED-FL-TG01	200	9.85	465*320*197

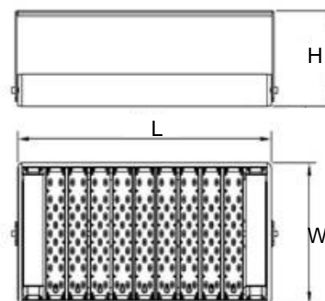


LUHMEISTER

PRODUCTS FEATURES:

- Die cast aluminum housing, strong alloy body structure
- High Transparent tempered glass.
- High quality LED chips with high brightness
- No infrared rays and ultraviolet radiation, corrosion resistant
- Adjustable installation brackets for different angles
- Long life time and energy saving for durable application
- Parking lot, billboard, Stadium, Sports , Museum, Area lighting etc.

FIXTURE DIMENSION:



FIXTURE SPECIFICATION:

Product Name	LED Flood Light	Color Rendering Index	Ra≥75
Product Model	LED-FL-TG05	LED Working Life (H)	≥35,000h
Input Power	AC85-265V	Frequency	50/60HZ
Rated Power	90W~180W	Temperature (°C)	-25°C~55°C
LED Chip Type	Bridgelux	Installation	Adjustable bracket
Power Factor	≥0.95	Material	Die cast & Aluminum
Luminous Flux (lm)	≥90 lm/watt	CCT(K°)	4000K/6000K

DIMENSION SPECIFICATION:

Wattage(W)	Weight(kg)	L (mm)	W (mm)	H (mm)
90W	7.5	340	300	200
120W	9.5	485	300	200
180W	11.0	600	300	200

LED CEILING LIGHTING

Long lifetime & Energy Saving



HIGH POWER
LED CEILING LIGHTING

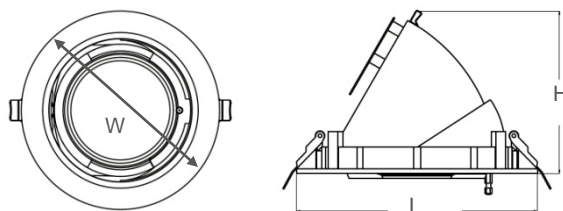
LUHMEISTER



PRODUCTS FEATURES:

- Pure Aluminum reflector, Tempered glass lens
- Die cast ballast casing, adjustable bracket installation
- Excellent vibration & shock resistance
- Voltage:85-265V Frequency: 50/60hz,80 Lm/W
- Power:10~30W, High Power Factor:>90%

FIXTURE DIMENSIONS(MM):



APPLICATIONS:

- Shopping mall, supermarket, stadium, office etc

FIXTURE SPECIFICATION:

Product Name	LED Ceiling Light	Color Rendering Index	Ra≥80
Product Model	LED-CL-GM01	LED Working Life (H)	≥35,000h
Input Power	AC85-265V	Frequency	50/60HZ
Rated Power	10W-30W	Temperature (°C)	-25°C~55°C
LED Chip Type	Epistar	Installation	Adjustable bracket
Power Factor	≥0.95	Material	Die cast & Aluminum
Luminous Flux (lm)	≥80 lm/watt	CCT(K°)	3000K/6000K

Wattage(W)	Weight(kg)	L (mm)	W(mm)	H (mm)
10W	0.4	128	128	80
15W	1.2	155	155	138
20W	2.5	185	185	165
30W	2.5	185	185	165



LUHMEISTER

PRODUCTS FEATURES:

- Pure Aluminum reflector, Frosted lens
- Excellent vibration & shock resistance
- Voltage:85-265V Frequency: 50/60hz, 75 Lm/W
- High Power Factor:>90%

APPLICATIONS:

- Shopping mall, supermarket, stadium, office etc

FIXTURE SPECIFICATION:

Product Code	Wattage	LEDS	Voltage	Lumen(lm)	CCT	Dimension(mm)	Cut-Size(mm)
LED-CL-GM02	7W	2835	85~265V	>520	4000	112X112X45	95
LED-CL-GM02	9W	2835	85~265V	>650	4000	145X145X57	125
LED-CL-GM02	13W	2835	85~265V	>975	4000	185X185X58	155
LED-CL-GM02	15W	2835	85~265V	>1200	4000	205X205X60	175



LUKMEISTER

PRODUCTS FEATURES:

- Pure Aluminum reflector, Tempered Glass lens
- Excellent vibration & shock resistance
- Voltage:85-265V Frequency: 50/60hz, 75Lm/W
- High Power Factor:>90%

APPLICATIONS:

- Shopping mall, supermarket, stadium, office etc

FIXTURE SPECIFICATION:

Product Code	Wattage	LEDS	Voltage	Lumen(lm)	CCT	Dimension(mm)	Cut-Size(mm)
LED-CL-GM03	5W	Epistar	85~265V	>350	4000	73X73X40	60
LED-CL-GM03	10W	Epistar	85~265V	>750	4000	110X110X68	100
LED-CL-GM03	15W	Epistar	85~265V	>1125	4000	150X150X82	135
LED-CL-GM03	20W	Epistar	85~265V	>1500	4000	150X150X82	135
LED-CL-GM03	30W	Epistar	85~265V	>2250	4000	180X180X90	170
LED-CL-GM03	40W	Epistar	85~265V	>3000	4000	230X230X98	200



PRODUCTS FEATURES:

- Small and compact design Frosted Glass lens
- Excellent vibration & shock resistance
- Voltage:85-265V Frequency: 50/60hz, 75Lm/W
- High Power Factor:>90%

APPLICATIONS:

- Shopping mall, supermarket, stadium, office etc

FIXTURE SPECIFICATION:

Product Code	Wattage	LEDS	Voltage	Lumen(lm)	CCT	Dimension(mm)	Cut-Size(mm)
LED-CL-GM04	6W	2835	85~265V	>450	4000	120X120X20	105
LED-CL-GM04	9W	2835	85~265V	>675	4000	145X145X20	130
LED-CL-GM04	12W	2835	85~265V	>900	4000	170X170X20	150
LED-CL-GM04	15W	2835	85~265V	>1125	4000	192X192X20	170
LED-CL-GM04	18W	2835	85~265V	>1350	4000	225X225X20	200
LED-CL-GM04	20W	2835	85~265V	>1500	4000	240X240X20	220



LUHMEISTER

PRODUCTS FEATURES:

- Rotatable angle, high quality cob chips
- Excellent vibration & shock resistance
- Voltage:85-265V Frequency: 50/60hz, 75Lm/W
- High Power Factor:>90%

APPLICATIONS:

- Shopping mall, supermarket, stadium, office etc

FIXTURE SPECIFICATION:

Product Code	Wattage	LEDS	Voltage	Lumen(l m)	CCT	Dimension(mm)	Cut-Size(mm)
LED-CL-GM05	9W	COB	85~265V	>450	4000	90X90X75	75
LED-CL-GM05	20W	COB	85~265V	>675	4000	110X110X85	95
LED-CL-GM05	30W	COB	85~265V	>900	4000	138X138X95	120
LED-CL-GM05	35W	COB	85~265V	>1125	4000	160X160X95	145



LUHMEISTER

PRODUCTS FEATURES:

- Aluminum with PC, high quality COB chips
- Excellent vibration & shock resistance
- Voltage:85-265V Frequency: 50/60hz, 75Lm/W
- High Power Factor:>90%

APPLICATIONS:

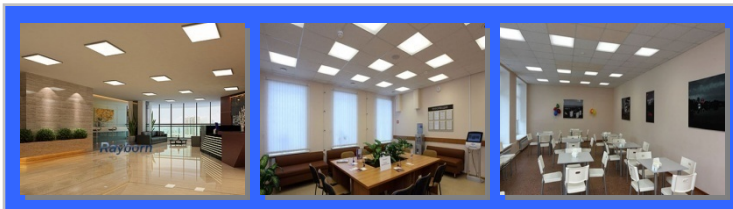
- Shopping mall, supermarket, stadium, office etc

FIXTURE SPECIFICATION:

Product Code	Wattage	LEDS	Voltage	Lumen(lm)	CCT	Dimension(mm)	Cut-Size(mm)
LED-CL-GM06	9W	COB	85~265V	>600	4000	95X95X80	75
LED-CL-GM06	15W	COB	85~265V	>900	4000	115X115X80	100
LED-CL-GM06	20W	COB	85~265V	>1600	4000	138X138X100	120
LED-CL-GM06	30W	COB	85~265V	>2200	4000	168X168X103	145
LED-CL-GM06	35W	COB	85~265V	>2800	4000	190X190X103	165
LED-CL-GM06	40W	COB	85~265V	>3200	4000	230X230X115	200

LED PANEL LIGHTING

Long lifetime & Energy Saving



12W~80W

Panel SERIES



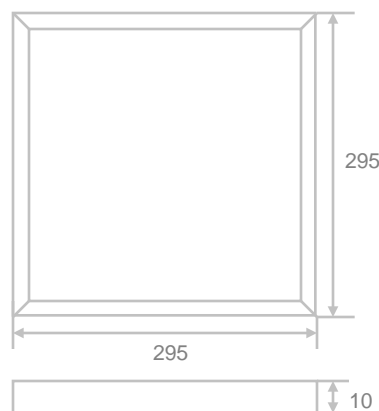
PRODUCTS FEATURES:

- Anodized aluminum frame , stylish and fashionable with everlasting color.
- Imported high-quality light guiding plate, ensure efficient. and high transmittance.
- high quality LED chips with high brightness, even and soft lighting performance
- No infrared rays and ultraviolet radiation, no thermal effect.
- Flexible installation like recessed, suspending, built-in options
- Long life time and energy saving for durable application

APPLICATIONS:

- Office, shopping mall, supermarket, museum, airport, station etc.

FIXTURE DIMENSION: (mm)



FIXTURE SPECIFICATION:

Product Name	LED Panel Light	Color Rendering Index	Ra≥80
Product Type	LED-PL3030-12W	Beam Angle (°)	120°
Input Power	AC100-240V	LED Working Life (H)	≥35,000h
Frequency	50/60HZ	Temperature (°C)	-40°C~55°C
Rated Power	12W	Environment Humidity	10%~90%
Power Efficiency	≥88%	Storage Temperature (°C)	-40°C~75°C
Power Factor	≥0.95	Fixture Type	Aluminum & PMMA
Light Source	SMD 3014	Dimensions (mm)	L295×W295×H10
Luminous Flux (lm)	≥900 lm	Net Weight (Kg)	0.85 kg
CCT(K°)	2800-3200K, 3900-4300K, 5800-6300K	Installation	Recessing, Suspending, Built-in,



PRODUCTS FEATURES:

- Anodized aluminum frame , stylish and fashionable with everlasting color.
- Imported high-quality light guiding plate, ensure efficient. and high transmittance.
- high quality LED chips with high brightness, even and soft lighting performance
- No infrared rays and ultraviolet radiation, no thermal effect.
- Flexible installation like recessed, suspending, built-in options
- Long life time and energy saving for durable application

APPLICATIONS:

- Office, shopping mall, supermarket, museum, airport, station etc.

FIXTURE DIMENSION: (mm)



FIXTURE SPECIFICATION:

Product Name	LED Panel Light	Color Rendering Index	Ra≥80
Product Type	LED-PL3060-20W	Beam Angle (°)	120°
Input Power	AC100-240V	LED Working Life (H)	≥35,000h
Frequency	50/60HZ	Temperature (°C)	-40°C~55°C
Rated Power	20W	Environment Humidity	10%~90%
Power Efficiency	≥88%	Storage Temperature (°C)	-40°C~75°C
Power Factor	≥0.95	Fixture Type	Aluminum & PMMA
Light Source	SMD 3014	Dimensions (mm)	L595×W295×H10
Luminous Flux (lm)	≥1500 lm	Net Weight (Kg)	1.5 kg
CCT(K°)	2800-3200K, 3900-4300K, 5800-6300K	Installation	Recessing, Suspending, Built-in,



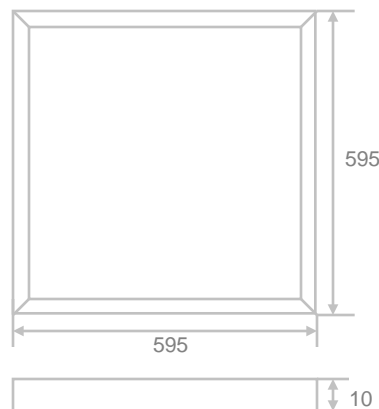
PRODUCTS FEATURES:

- Anodized aluminum frame , stylish and fashionable with everlasting color.
- Imported high-quality light guiding plate, ensure efficient. and high transmittance.
- high quality LED chips with high brightness, even and soft lighting performance
- No infrared rays and ultraviolet radiation, no thermal effect.
- Flexible installation like recessed, suspending, built-in options
- Long life time and energy saving for durable application

APPLICATIONS:

- Office, shopping mall, supermarket, museum, airport, station etc.

FIXTURE DIMENSION: (mm)



FIXTURE SPECIFICATION:

Product Name	LED Panel Light	Color Rendering Index	Ra≥80
Product Type	LED-PL6060-40W	Beam Angle (°)	120°
Input Power	AC100-240V	LED Working Life (H)	≥35,000h
Frequency	50/60HZ	Temperature (°C)	-40°C~55°C
Rated Power	40W	Environment Humidity	10%~90%
Power Efficiency	≥88%	Storage Temperature (°C)	-40°C~75°C
Power Factor	≥0.95	Fixture Type	Aluminum & PMMA
Light Source	SMD 3014	Dimensions (mm)	L595×W595×H10
Luminous Flux (lm)	≥3000 lm	Net Weight (Kg)	3.6 kg
CCT(K°)	2800-3200K, 3900-4300K, 5800-6300K	Installation	Recessing, Suspending, Built-in,



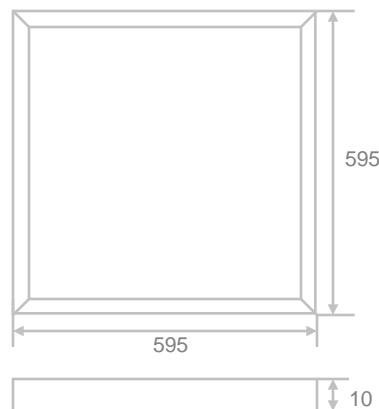
PRODUCTS FEATURES:

- Anodized aluminum frame , stylish and fashionable with everlasting color.
- Imported high-quality light guiding plate, ensure efficient. and high transmittance.
- high quality LED chips with high brightness, even and soft lighting performance
- No infrared rays and ultraviolet radiation, no thermal effect.
- Flexible installation like recessed, suspending, built-in options
- Long life time and energy saving for durable application

APPLICATIONS:

- Office, shopping mall, supermarket, museum, airport, station etc.

FIXTURE DIMENSION: (mm)



FIXTURE SPECIFICATION:

Product Name	LED Panel Light	Color Rendering Index	Ra≥80
Product Type	LED-PL6060-45W	Beam Angle (°)	120°
Input Power	AC100-240V	LED Working Life (H)	≥35,000h
Frequency	50/60HZ	Temperature (°C)	-40°C~55°C
Rated Power	45W	Environment Humidity	10%~90%
Power Efficiency	≥88%	Storage Temperature (°C)	-40°C~75°C
Power Factor	≥0.95	Fixture Type	Aluminum & PMMA
Light Source	SMD 3014	Dimensions (mm)	L595×W595×H10
Luminous Flux (lm)	≥3375 lm	Net Weight (Kg)	3.6 kg
CCT(K°)	2800-3200K, 3900-4300K, 5800-6300K	Installation	Recessing, Suspending, Built-in,



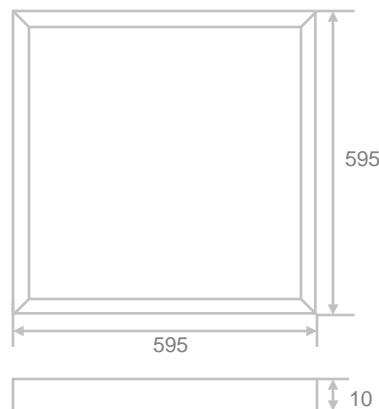
PRODUCTS FEATURES:

- Anodized aluminum frame , stylish and fashionable with everlasting color.
- Imported high-quality light guiding plate, ensure efficient. and high transmittance.
- high quality LED chips with high brightness, even and soft lighting performance
- No infrared rays and ultraviolet radiation, no thermal effect.
- Flexible installation like recessed, suspending, built-in options
- Long life time and energy saving for durable application

APPLICATIONS:

- Office, shopping mall, supermarket, museum, airport, station etc.

FIXTURE DIMENSION: (mm)



FIXTURE SPECIFICATION:

Product Name	LED Panel Light	Color Rendering Index	Ra≥80
Product Type	LED-PL6060-60W	Beam Angle (°)	120°
Input Power	AC100-240V	LED Working Life (H)	≥35,000h
Frequency	50/60HZ	Temperature (°C)	-40°C~55°C
Rated Power	60W	Environment Humidity	10%~90%
Power Efficiency	≥88%	Storage Temperature (°C)	-40°C~75°C
Power Factor	≥0.95	Fixture Type	Aluminum & PMMA
Light Source	SMD 3014	Dimensions (mm)	L595×W595×H10
Luminous Flux (lm)	≥4500 lm	Net Weight (Kg)	4.15 kg
CCT(K°)	2800-3200K, 3900-4300K, 5800-6300K	Installation	Recessing, Suspending, Built-in,



PRODUCTS FEATURES:

- Anodized aluminum frame , stylish and fashionable with everlasting color.
- Imported high-quality light guiding plate, ensure efficient. and high transmittance.
- high quality LED chips with high brightness, even and soft lighting performance
- No infrared rays and ultraviolet radiation, no thermal effect.
- Flexible installation like recessed, suspending, built-in options
- Long life time and energy saving for durable application

FIXTURE DIMENSION: (mm)



APPLICATIONS:

- Office, shopping mall, supermarket, museum, airport, station etc.

FIXTURE SPECIFICATION:

Product Name	LED Panel Light	Color Rendering Index	Ra≥80
Product Type	LED-PL12030-40W	Beam Angle (°)	120°
Input Power	AC100-240V	LED Working Life (H)	≥35,000h
Frequency	50/60HZ	Temperature (°C)	-40°C~55°C
Rated Power	40W	Environment Humidity	10%~90%
Power Efficiency	≥88%	Storage Temperature (°C)	-40°C~75°C
Power Factor	≥0.95	Fixture Type	Aluminum & PMMA
Light Source	SMD 3014	Dimensions (mm)	L1195×W295×H10
Luminous Flux (lm)	≥3000 lm	Net Weight (Kg)	3.5 kg
CCT(K°)	2800-3200K, 3900-4300K, 5800-6300K	Installation	Recessing, Suspending, Built-in,



PRODUCTS FEATURES:

- Anodized aluminum frame , stylish and fashionable with everlasting color.
- Imported high-quality light guiding plate, ensure efficient. and high transmittance.
- high quality LED chips with high brightness, even and soft lighting performance
- No infrared rays and ultraviolet radiation, no thermal effect.
- Flexible installation like recessed, suspending, built-in options
- Long life time and energy saving for durable application

FIXTURE DIMENSION: (mm)



APPLICATIONS:

- Office, shopping mall, supermarket, museum, airport, station etc.

FIXTURE SPECIFICATION:

Product Name	LED Panel Light	Color Rendering Index	Ra≥80
Product Type	LED-PL12030-55W	Beam Angle (°)	120°
Input Power	AC100-240V	LED Working Life (H)	≥35,000h
Frequency	50/60HZ	Temperature (°C)	-40°C~55°C
Rated Power	55W	Environment Humidity	10%~90%
Power Efficiency	≥88%	Storage Temperature (°C)	-40°C~75°C
Power Factor	≥0.95	Fixture Type	Aluminum & PMMA
Light Source	SMD 3014	Dimensions (mm)	L1195×W295×H10
Luminous Flux (lm)	≥4125 lm	Net Weight (Kg)	3.5 kg
CCT(K°)	2800-3200K, 3900-4300K, 5800-6300K	Installation	Recessing, Suspending, Built-in,



PRODUCTS FEATURES:

- Anodized aluminum frame , stylish and fashionable with everlasting color.
- Imported high-quality light guiding plate, ensure efficient. and high transmittance.
- high quality LED chips with high brightness, even and soft lighting performance
- No infrared rays and ultraviolet radiation, no thermal effect.
- Flexible installation like recessed, suspending, built-in options
- Long life time and energy saving for durable application

FIXTURE DIMENSION: (mm)



APPLICATIONS:

- Office, shopping mall, supermarket, museum, airport, station etc.

FIXTURE SPECIFICATION:

Product Name	LED Panel Light	Color Rendering Index	Ra≥80
Product Type	LED-PL12060-55W	Beam Angle (°)	120°
Input Power	AC100-240V	LED Working Life (H)	≥35,000h
Frequency	50/60HZ	Temperature (°C)	-40°C~55°C
Rated Power	55W	Environment Humidity	10%~90%
Power Efficiency	≥88%	Storage Temperature (°C)	-40°C~75°C
Power Factor	≥0.95	Fixture Type	Aluminum & PMMA
Light Source	SMD 3014	Dimensions (mm)	L1195×W595×H10
Luminous Flux (lm)	≥4500 lm	Net Weight (Kg)	6.05 kg
CCT(K°)	2800-3200K, 3900-4300K, 5800-6300K	Installation	Recessing, Suspending, Built-in,



PRODUCTS FEATURES:

- Anodized aluminum frame , stylish and fashionable with everlasting color.
- Imported high-quality light guiding plate, ensure efficient. and high transmittance.
- high quality LED chips with high brightness, even and soft lighting performance
- No infrared rays and ultraviolet radiation, no thermal effect.
- Flexible installation like recessed, suspending, built-in options
- Long life time and energy saving for durable application

FIXTURE DIMENSION: (mm)



APPLICATIONS:

- Office, shopping mall, supermarket, museum, airport, station etc.

FIXTURE SPECIFICATION:

Product Name	LED Panel Light	Color Rendering Index	Ra≥80
Product Type	LED-PL12060-80W	Beam Angle (°)	120°
Input Power	AC100-240V	LED Working Life (H)	≥35,000h
Frequency	50/60HZ	Temperature (°C)	-40°C~55°C
Rated Power	80W	Environment Humidity	10%~90%
Power Efficiency	≥88%	Storage Temperature (°C)	-40°C~75°C
Power Factor	≥0.95	Fixture Type	Aluminum & PMMA
Light Source	SMD 3014	Dimensions (mm)	L1195×W595×H10
Luminous Flux (lm)	≥5600 lm	Net Weight (Kg)	7.0 kg
CCT(K°)	2800-3200K, 3900-4300K, 5800-6300K	Installation	Recessing, Suspending, Built-in,

PANEL LIGHTING INSTALLATION INSTRUCTIONS

Option-1. Suspended from the metal wires



Option-2. Installation through Spring fastener

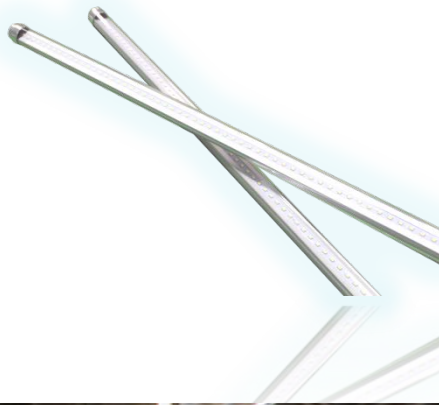


Option-3. Installation through mounting frame



LED TUBE LIGHTING

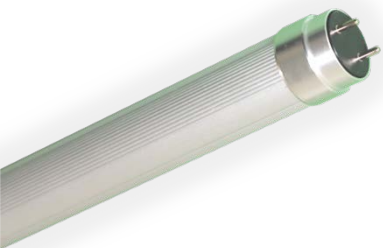
Long lifetime & Energy Saving



9W~22W

T8 SERIES





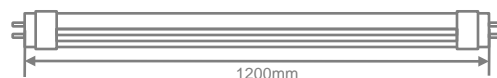
PRODUCTS FEATURES:

- Aluminum cap design , stylish and fashionable with everlasting color.
- Imported high-quality PC cover, ensure efficient. and high transmittance.
- high quality LED chips with high brightness, even and soft lighting performance
- No infrared rays and ultraviolet radiation, no thermal effect.
- Transparent PC cover or Milky PC cover is optional.
- Long life time and energy saving for durable application

APPLICATIONS:

- Office, shopping mall, supermarket, museum, airport, station etc.

FIXTURE DIMENSION: (mm)



FIXTURE SPECIFICATION:

Product Name	LED Tube Light	Color Rendering Index	Ra≥80
Product Type	LED-T8-9W/14W/18W/22W	Beam Angle (°)	120° ~ 180°
Input Power	AC85-265V	LED Working Life (H)	≥35,000h
Frequency	50/60HZ	Temperature (°C)	-40°C~55°C
Rated Power	9W/14W/18W/22W	Environment Humidity	10%~90%
LED Driver Type	non-isolated	Storage Temperature (°C)	-40°C~75°C
Power Factor	≥0.95	Fixture Type	Aluminum & PC
Light Source	SMD 2835	Dimensions (mm)	ø26*600/900/1200/1500mm
Luminous Flux (lm)	≥95 lm/watt	CCT(K°)	4000K/6000K

LED PROJECTOR LIGHT



IP66

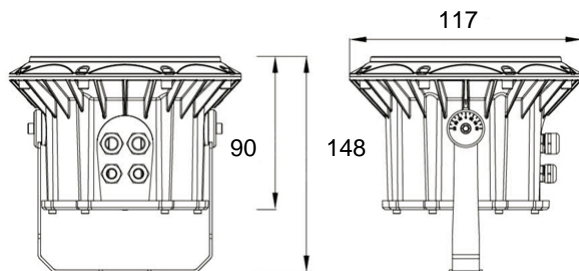




PRODUCTS FEATURES:

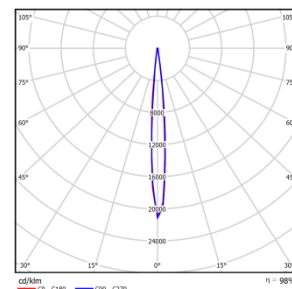
- Aluminum alloy , stylish and fashionable with everlasting color.
- Unique heat sink, enables better air ventilation & heat dissipation.
- high quality LED chips with high brightness
- Easy installation with Adjustable bracket
- Long life time and energy saving for durable application
- Building lighting, wall lighting, landscape lighting or area lighting etc..

FIXTURE DIMENSION(mm):



FIXTURE SPECIFICATION:

Product Name	LED Projector Light	Color Rendering Index	Ra≥75
Product Model	LED-PJ01	Beam Angle (°)	10°
Input Power	AC85-265V	LED Working Life (H)	≥30,000h
Frequency	50/60HZ	Temperature (°C)	-25°C~55°C
Rated Power	8W	Environment Humidity	10%~90%
LED Chip Type	Cree Brand	Storage Temperature (°C)	-25°C~50°C
Power Factor	≥0.95	CCT(K°)	6500K

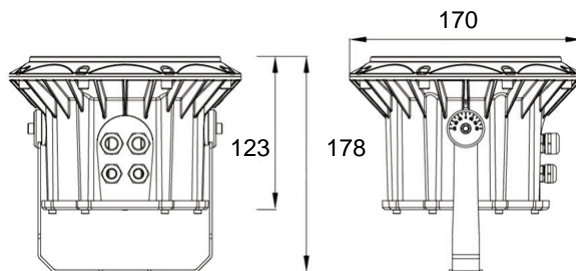




PRODUCTS FEATURES:

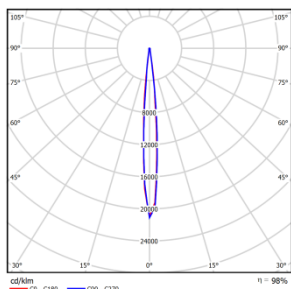
- Aluminum alloy , stylish and fashionable with everlasting color.
- Unique heat sink, enables better air ventilation & heat dissipation.
- high quality LED chips with high brightness
- Easy installation with Adjustable bracket
- Long life time and energy saving for durable application
- Building lighting, wall lighting, landscape lighting or area lighting etc..

FIXTURE DIMENSION(mm):



FIXTURE SPECIFICATION:

Product Name	LED Projector Light	Color Rendering Index	Ra≥75
Product Model	LED-PJ02	Beam Angle (°)	10°
Input Power	AC85-265V	LED Working Life (H)	≥30,000h
Frequency	50/60HZ	Temperature (°C)	-25°C~55°C
Rated Power	12 W	Environment Humidity	10%~90%
LED Chip Type	Cree Brand	Storage Temperature (°C)	-25°C~50°C
Power Factor	≥0.95	CCT(K°)	6500K

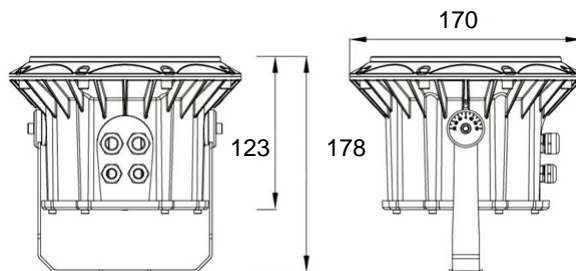




PRODUCTS FEATURES:

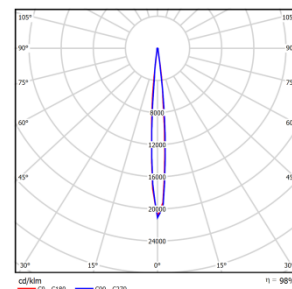
- Aluminum alloy , stylish and fashionable with everlasting color.
- Unique heat sink, enables better air ventilation & heat dissipation.
- high quality LED chips with high brightness
- Easy installation with Adjustable bracket
- Long life time and energy saving for durable application
- Building lighting, wall lighting, landscape lighting or area lighting etc..

FIXTURE DIMENSION(mm):



FIXTURE SPECIFICATION:

Product Name	LED Projector Light	Color Rendering Index	Ra≥75
Product Model	LED-PJ03	Beam Angle (°)	10°
Input Power	AC85-265V	LED Working Life (H)	≥30,000h
Frequency	50/60HZ	Temperature (°C)	-25 °C ~55 °C
Rated Power	15 W	Environment Humidity	10%~90%
LED Chip Type	Cree Brand	Storage Temperature (°C)	-25 °C ~50 °C
Power Factor	≥0.95	CCT(K°)	6500K

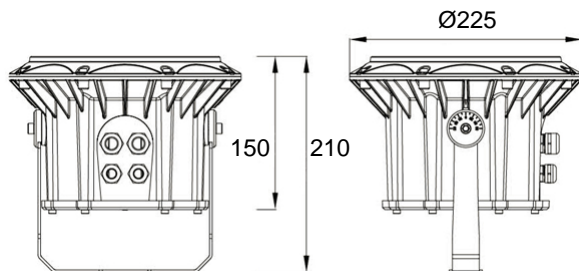




PRODUCTS FEATURES:

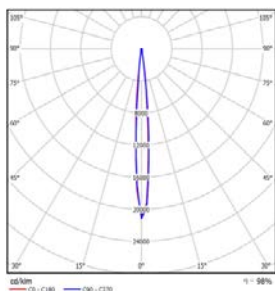
- Aluminum alloy , stylish and fashionable with everlasting color.
- Unique heat sink, enables better air ventilation & heat dissipation.
- high quality LED chips with high brightness
- Easy installation with Adjustable bracket
- Long life time and energy saving for durable application
- Building lighting, wall lighting, landscape lighting or area lighting etc..

FIXTURE DIMENSION(mm):



FIXTURE SPECIFICATION:

Product Name	LED Projector Light	Color Rendering Index	Ra≥75
Product Model	LED-PJ04	Beam Angle (°)	10°
Input Power	AC85-265V	LED Working Life (H)	≥30,000h
Frequency	50/60HZ	Temperature (°C)	-25°C~55°C
Rated Power	23W/45W	Environment Humidity	10%~90%
LED Chip Type	Cree Brand	Storage Temperature (°C)	-25°C~50°C
Power Factor	≥0.95	CCT(K°)	6500K





UTOMATION & POWER CONTROL

APC (Automation & Power Control) Solution S.A.C.

Urb. Parque Industrial Mz. A Lote 17 - La Libertad – Trujillo

Email: ventas@apcsac.com

Tel: #952069996

<http://www.apcsac.com>



LUXMEISTER

DISTRIBUIDOR AUTORIZADO NORTE